

Solution des exercices sur l'algèbre du schéma bloc

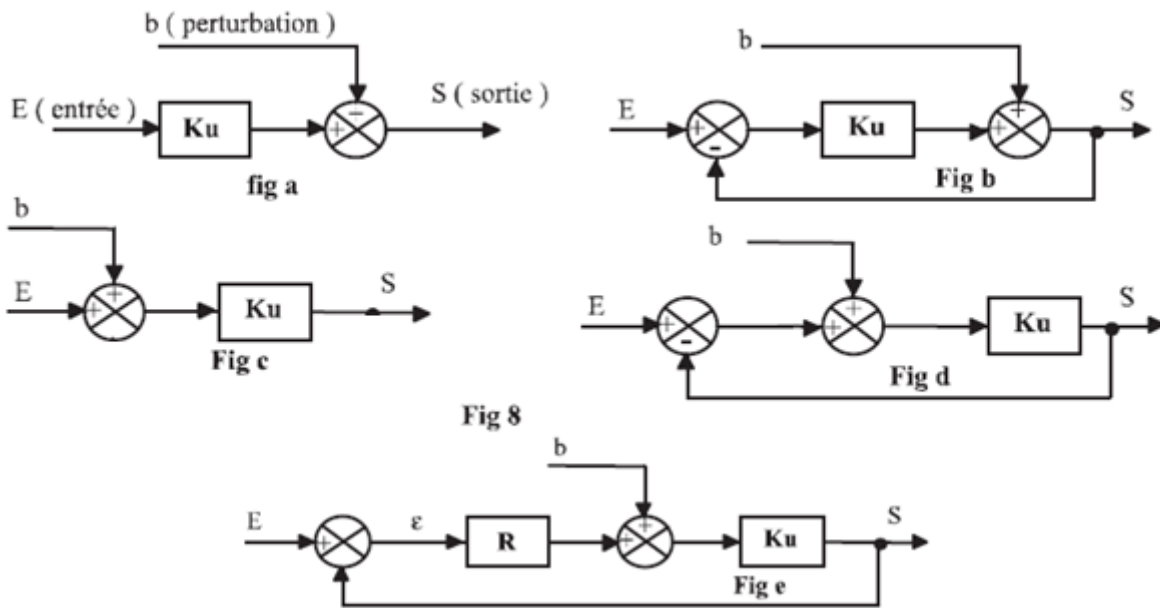


Figure a : $S = E.Ku + b$

Figure b : $S = (E-S).Ku + b \rightarrow S = \frac{E.Ku + b}{1+Ku}$

Figure c : $S = (E + b) Ku$

Figure d : $S = (E - S + b).Ku \rightarrow S = \frac{(E + b)Ku}{1+Ku}$

Figure e: $S = ((E - S).R + b).Ku \rightarrow S = \frac{(E.R + b)Ku}{1+R.Ku}$